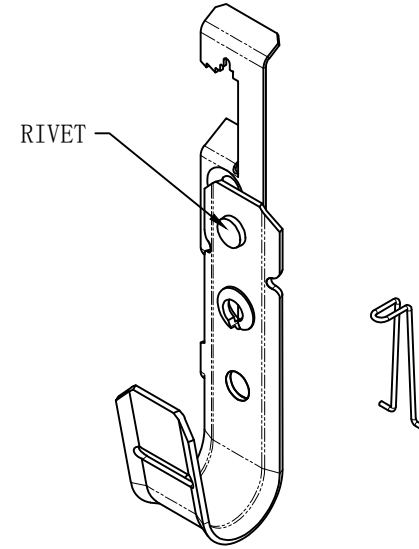
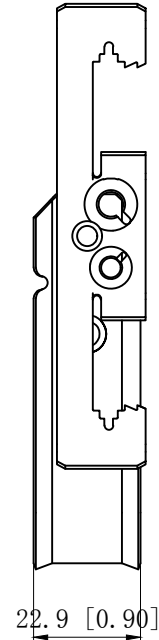
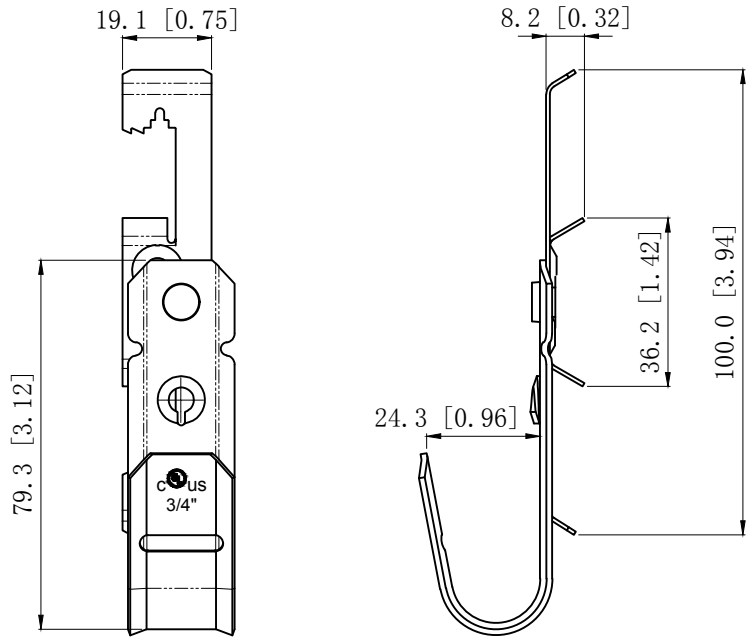


Simply45[®]

REVISIONS			
REV.	BY.	REVISIONS	DATE



NOTES:

1. All dimensions in millimeters and [inches];
2. Material: J HOOK: C.R.S, thickness: 1.20 [0.047], Finish: Yellow zinc plated, thickness: min 5um;
Bat Wing: C1008~1018, thickness: 0.80 [0.031], Finish: black E-coating;
3. Free of sharp edge and burrs. max burr 0.127[0.005];

TOLERANCES UNLESS OTHERWISE SPECIFIED		NAME	DATE
INCHES	MILLIMETER	DRAMN	
ANGULAR:	ANGULAR:	CHECKED	
X.X: ±0.1	X: ±2.54	APPROVED (A)	
X.XX: ±0.05	X.X: ±1.27	APPROVED (Customer)	
X.XXX: ±0.008	X.XX: ±0.203		
MATERIAL		TITLE	
C.R.S			
FINISH		SIZE	DWG NO.
Yellow zinc plated		A4	S45-JHW12-XX
		SCALE: 1:1	REV A
		PRINT DATE	REFERENCES
			SHEET 1 OF 1

