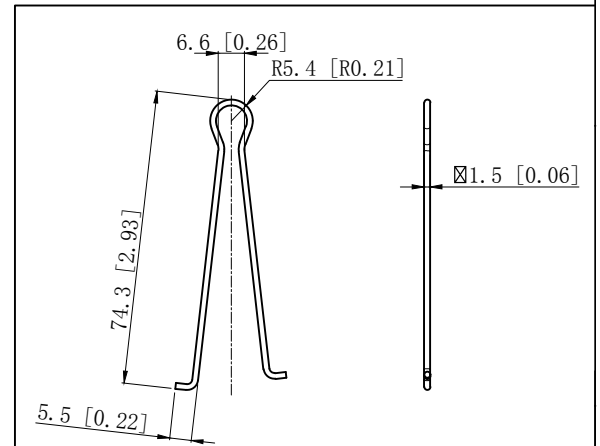
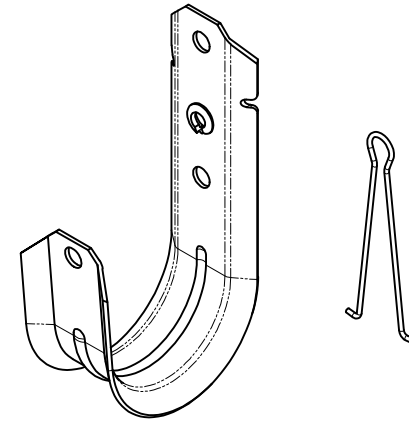
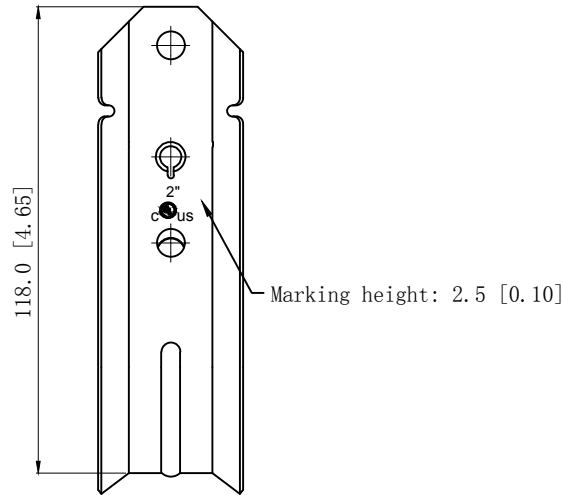
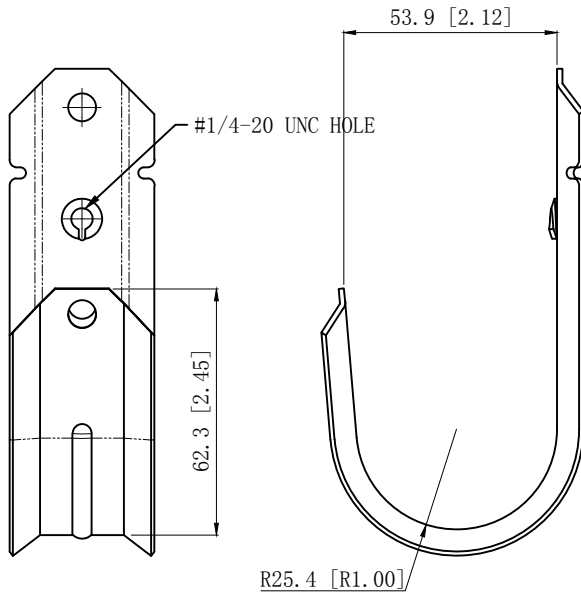
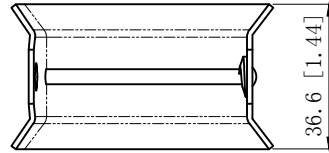


Simply45[®]



REVISIONS			
REV.	BY.	REVISIONS	DATE

NOTES:

- All dimensions in millimeters and [inches];
- Material: C.R.S, thickness: 1.20 [0.047]
Finish: Yellow zinc plated, thickness: min 5um;
- Free of sharp edge and burrs. max burr 0.127[0.005];

TOLERANCES UNLESS OTHERWISE SPECIFIED		NAME	DATE		
INCHES	MILLIMETER	DRAMN			
ANGULAR:	ANGULAR:	CHECKED			
X X: ±0.1	X: ±2.54	APPROVED (A)		TITLE	
X X X: ±0.05	X X: ±1.27	APPROVED (Customer)			
X X X X: ±0.008	X X X: ±0.203				
MATERIAL				SIZE	DWG NO.
C.R.S				A4	S45-JH32-XX
FINISH				REV	A
Yellow zinc plated				SCALE: 1:1	PRINT DATE
				REFERENCES	SHEET 1 OF 1

