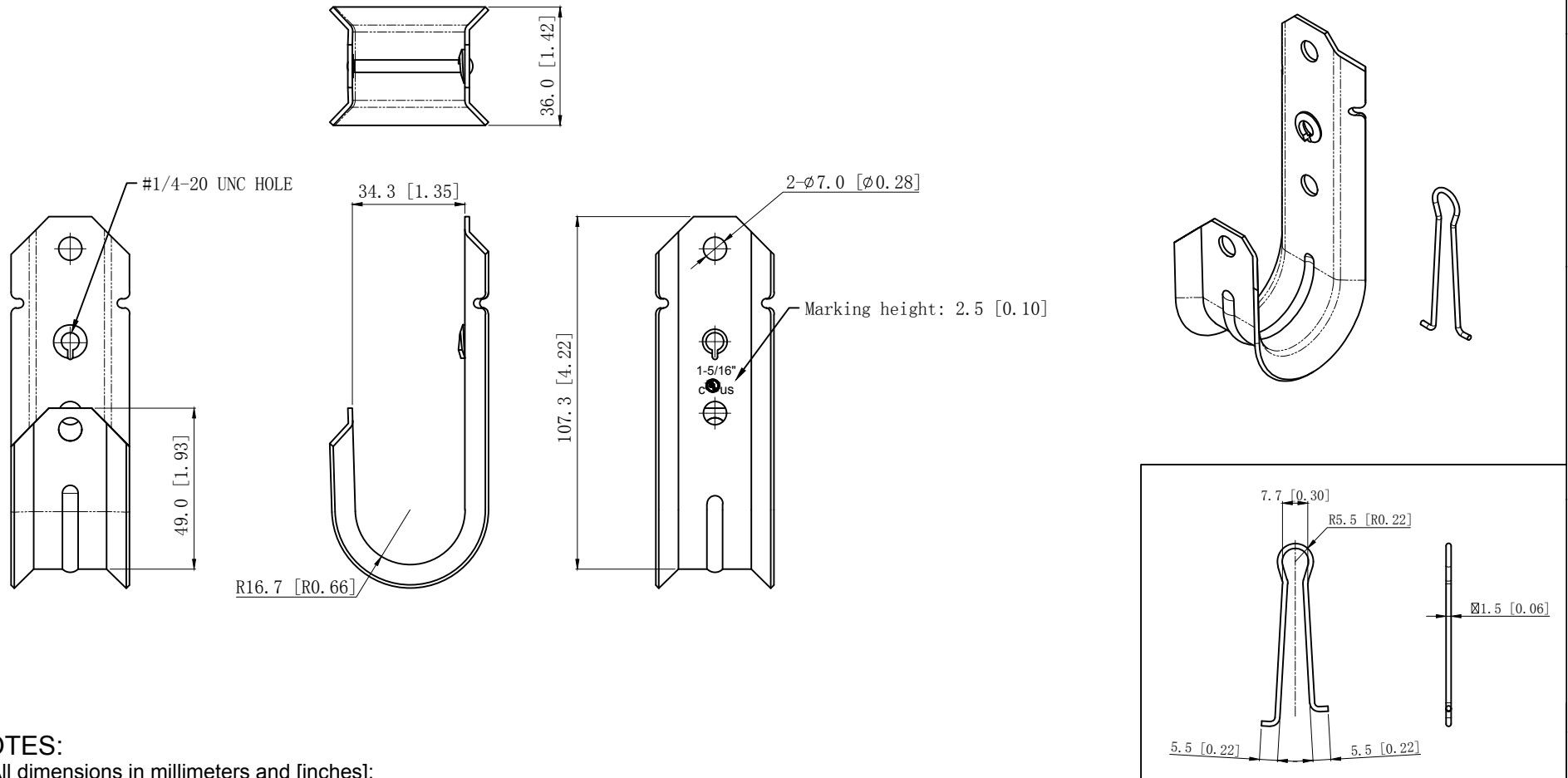


REVISIONS			
REV.	BY.	REVISIONS	DATE



NOTES:

- All dimensions in millimeters and [inches];
- Material: C.R.S, thickness: 1.20 [0.047]
Finish: Yellow zinc plated, thickness: min 5um;
- Free of sharp edge and burrs. max burr 0.127[0.005];

TOLERANCES UNLESS OTHERWISE SPECIFIED		NAME	DATE	TITLE	
INCHES	MILLIMETER				
ANGULAR:	ANGULAR:				
X X: ±0.1	X: ±2.54				
X X X: ±0.05	X X: ±1.27				
X X X X: ±0.008	X X X: ±0.203				
MATERIAL		APPROVED (A)			
C.R.S		APPROVED (Customer)			
FINISH				SIZE	DWG NO.
Yellow zinc plated				A4	S45-JH21-XX
				REV	A
				SCALE: 1:1	PRINT DATE
				REFERENCES	SHEET 1 OF 1

