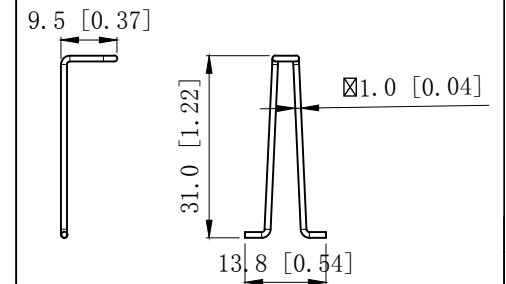
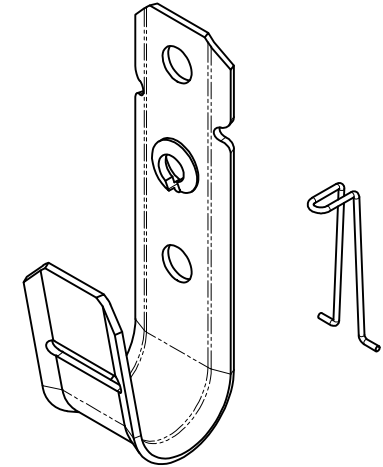
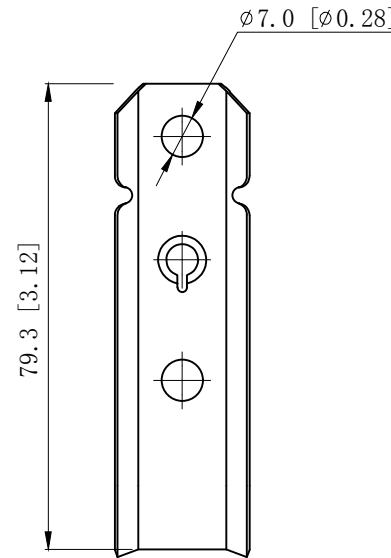
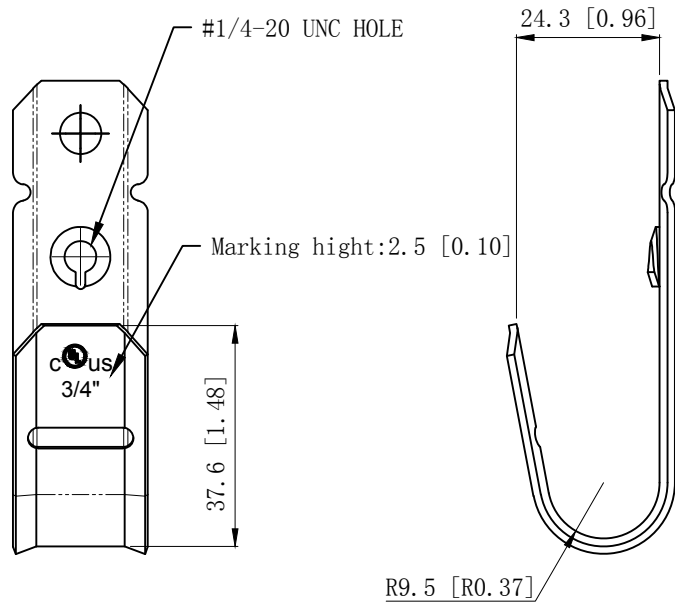
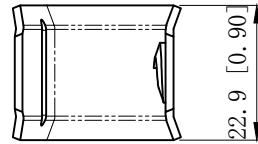


Simply45[®]

REVISIONS			
REV.	BY.	REVISIONS	DATE

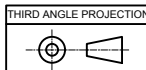


NOTES:

- All dimensions in millimeters and [inches];
- Material: C.R.S, thickness: 1.20 [0.047]
Finish: Yellow zinc plated, thickness: min 5um;
- Free of sharp edge and burrs. max burr 0.127[0.005];

TOLERANCES UNLESS OTHERWISE SPECIFIED		NAME	DATE
INCHES	MILLIMETER	DRAMN	
ANGULAR:	ANGULAR:	CHECKED	
X X: ±0.1	X: ±2.54	APPROVED (A)	
X.X X: ±0.05	X.X: ±1.27	APPROVED (Customer)	
X.X X X: ±0.008	X.X X: ±0.203		

MATERIAL		TITLE	
C.R.S			
FINISH			
Yellow zinc plated			



SIZE	DWG NO.	REV
A4	S45-JH12-XX	A
SCALE: 1:1	PRINT DATE	REFERENCES
		SHEET 1 OF 1