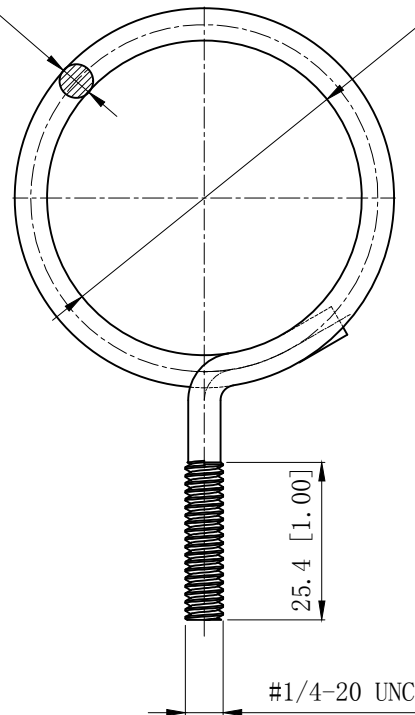


# Simply45<sup>®</sup>

| REVISIONS |     |           |      |
|-----------|-----|-----------|------|
| REV.      | BY. | REVISIONS | DATE |
|           |     |           |      |
|           |     |           |      |

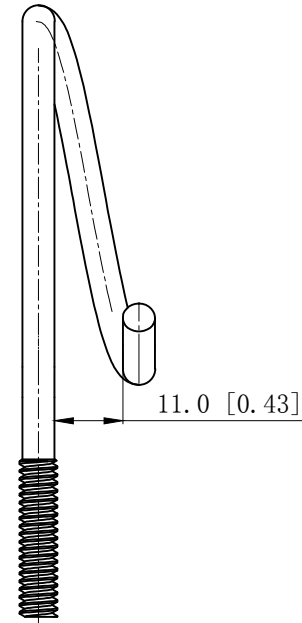
$\begin{matrix} +0.05 \\ \phi 5.4-0.03 \end{matrix} \left[ \begin{matrix} +0.0020 \\ \phi 0.213-0.0012 \end{matrix} \right]$



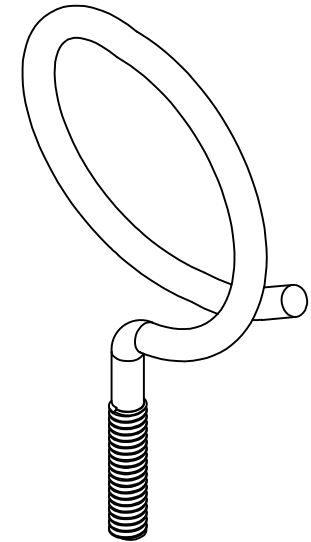
$\phi 50.80 \left[ \phi 2.000 \right]$

25.4 [1.00]

#1/4-20 UNC



11.0 [0.43]



### NOTES:

1. All dimensions in millimeters and [inches];
2. Material: Steel C1008~C1018, Finish: zinc plated, thickness: min 5um;
3. Free of sharp edge and burrs. max burr 0.127[0.005];

| TOLERANCES UNLESS OTHERWISE SPECIFIED |               | NAME                | DATE |              |             |
|---------------------------------------|---------------|---------------------|------|--------------|-------------|
| INCHES                                | MILLIMETER    | DRAMN               |      | TITLE        |             |
| ANGULAR:                              | ANGULAR:      | CHECKED             |      |              |             |
| X.X: ±0.1                             | X: ±2.54      | APPROVED (A)        |      |              |             |
| X.X.X: ±0.05                          | X.X: ±1.27    | APPROVED (Customer) |      |              |             |
| X.X.X.X: ±0.008                       | X.X.X: ±0.203 |                     |      |              |             |
| MATERIAL                              |               |                     |      | SIZE         | DWG NO.     |
| C1008-1018                            |               |                     |      | A4           | S45-BR32-XX |
| FINISH                                |               |                     |      | SCALE: 1:1   | PRINT DATE  |
| zinc plated                           |               |                     |      | REFERENCES   | REV         |
|                                       |               |                     |      |              | A           |
|                                       |               |                     |      | SHEET 1 OF 1 |             |

