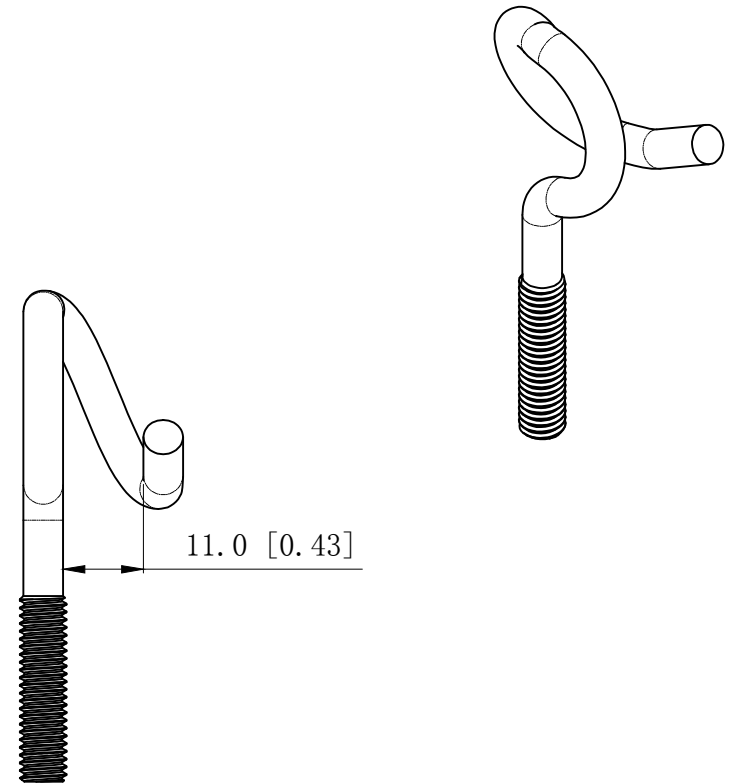
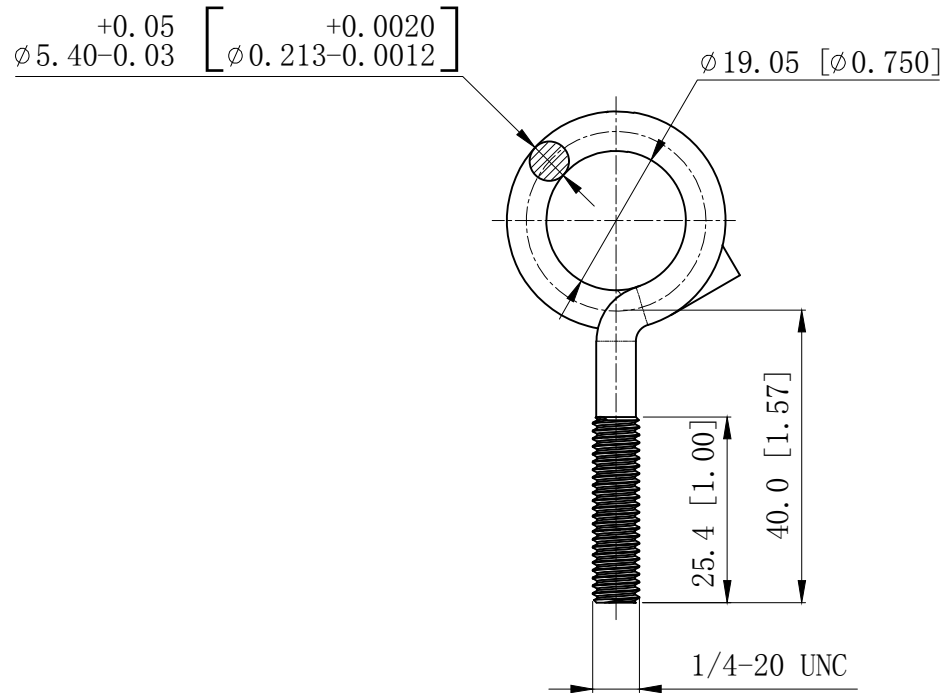


# Simply45<sup>®</sup>

REVISIONS			
SYM.	BY.	REVISIONS	DATE



**NOTES:**

- 1.All dimensions in millimeters and [inches];
- 2.Material:Steel C1008~C1018 ,  
Finish:Zinc plated ,thickness:0.005mm[0.0002in];
- 3.Free of sharp edge and burrs.max burr 0.127[0.005];

TOLERANCES UNLESS OTHERWISE SPECIFIED		NAME	DATE	TITLE	
INCHES:	MILLIMETER:	DRAMN			
ANGULAR:	ANGULAR:	CHECKED			
X.X: ±0.1	X: ±2.54	APPROVED (A)			
X.XX: ±0.05	X.X: ±1.27	APPROVED (Customer)			
X.XXX: ±0.008	X.XX: ±0.203			SIZE	DWG NO.
MATERIAL	Steel C1008~C1018			A4	S45-BR21-XX
FINISH	Zinc plated			SCALE: 1:1	PRINT DATE
				REFERENCES	REV
					A
					SHEET 1 OF 1

